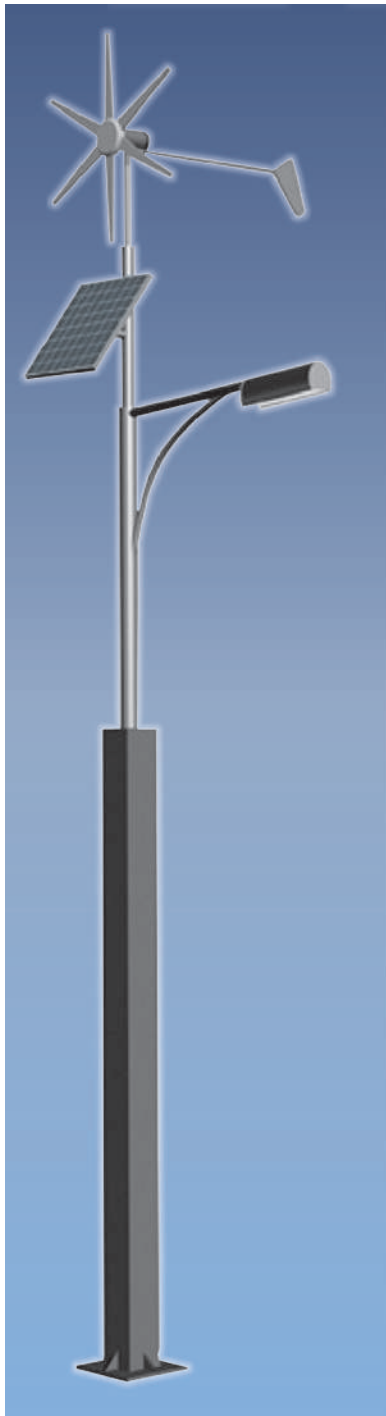


STILO
GRAFICA



Hybrid solar + wind

For street light



Maximum power (w)	300	Rated RPM	100-500
Rated wind speed (m/s)	7-8	Battery regulator(V)	12
Cut in wind speed (m/s)	3	Tower height (M)	6-10
Rotor diameter (m)	1.1	Standard tower	6.5m guyed wire
Number of blades	6	Weight (Kg)	12



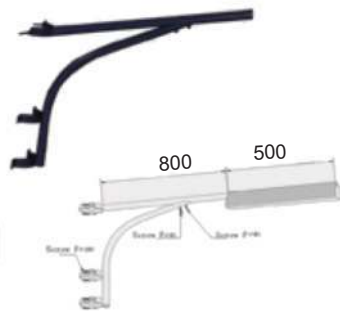
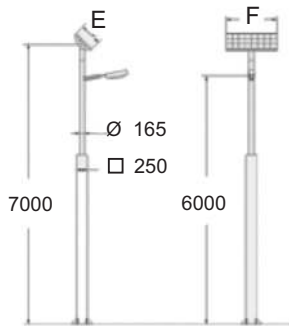
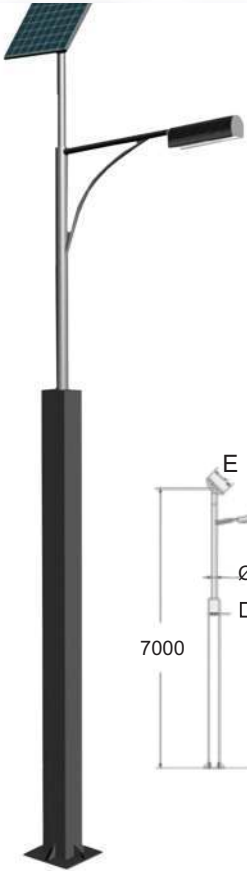
MODEL	Pmax	Ipm	Vpm	Isc	Voc	SIZE	WEIGHT
PVL-CIS-2.5W	2.5W	0.31A	8.06V	0.37A	11.85V	256*192*33.8mm	1Kg
PVL-CIS-5W	5W	0.29A	17.3V	0.39A	24.2V	256*322*33.8mm	1.5Kg
PVL-CIS-10W	10W	0.58A	17.3V	0.76A	24.2V	458*322*33.8mm	2.5Kg
PVL-CIS-20W	20W	1.17A	17.3V	1.52A	24.2V	458*590*33.8mm	4.3Kg
PVL-CIS-30W	30W	1.73A	17.3V	2.29A	24.2V	660*590*33.8mm	6.7Kg
PVL-CIS-40W	40W	2.31A	17.3V	3.06A	24.2V	862*590*33.8mm	7.8Kg
PVL-CIS-50W	50W	2.90A	17.3V	3.84A	24.2V	1064*590*33.8mm	9.6Kg
PVL-CIS-60W	60W	3.5A	17.3V	4.6A	24.2V	862*858*33.8mm	11.1Kg
PVL-CIS-80W	80W	4.85A	17.3V	5.8A	24.2V	862*1126*33.8mm	14.4Kg
PVL-CIS-100W	100W	6.06A	17.3V	7.25A	24.2V	1064*1126*33.8mm	18.8Kg
PVL-CIS-120W	120W	7.3A	17.3V	9A	24.2V	1266*1126*48mm	22.1Kg



NEW Reflector



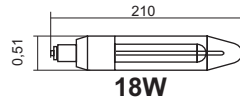
Design for
outdoor application



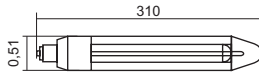
Luminance of LED solar street light
PVL-LT-HPLED20W



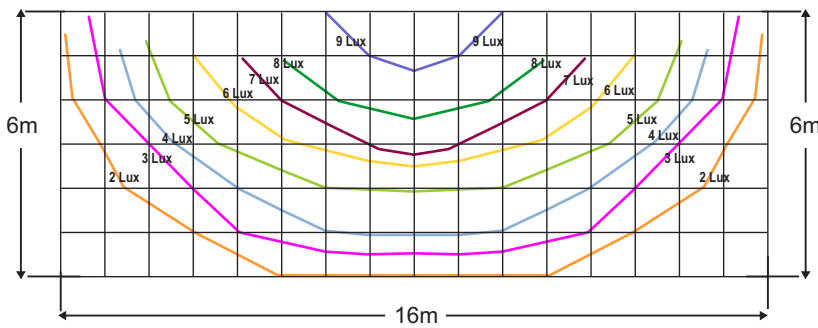
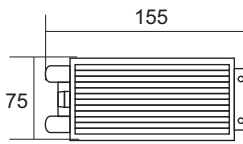
Item	Parameter			
		PVL-LT-HPLED20	PVL-LT-HPLED30	PVL-LT-HPLED40
Lamp	Rated Power	20 W	30 W	40 W
	Rated Voltage	12 V	12 V	12 V
	Input voltage	DC12V-14V	DC12V-14V	DC12V-14V
	Current	1.6 A	2.5 A	3.3 A
	Installation Height	4-6 m	6-8 m	6-8 m
	HI-Power LED	>1000 lm	>1500 lm	>2000 lm
	Light color	6000 K	6000 K	6000 K
	Lifespan	30.000 hrs	30.000 hrs	30.000 hrs
	Dimension	50x12x12.8 cm	50x12x12.8 cm	65x12x12.8 cm
	Weight	3.7 Kg	3.7 Kg	4.7 Kg
Windmill	Size	12 V	12 V	12 V
	Anemometer	3.9-5.7 m/s	9-12 m/s	9-12 m/s
Solar Module	Optional	40-60W / 17.3V	60-80W / 17.3V	80-160W / 17.3V
Charge Controller	Optional	12V / 10A	12V / 10A	12V / 10A
Battery	Optional	75AH / 12V	100AH / 12V	100AH / 12V



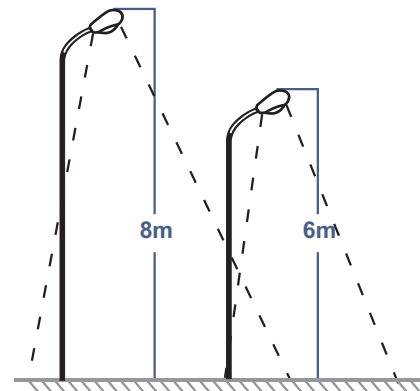
18W



26W / 35W



Model	PVL-LT-LPS180	PVL-LT-LPS260	PVL-LT-HPLED40
Normal power	18 W	26 W	35 W
Normal voltage	12 V	12 V	12 V
Input voltage	DC10V-14V	DC10V-14V	DC10V-14V
Current	1.5 A	2.17 A	3 A
Installation height	4m - 6m	4m - 6m	6m - 8m
Philips LPS			
Light Color	2800 K	2800 K	2800 K
Lifespan	20.000 H	20.000 H	20.000 H
Demension	51 / 120mm	51 / 310mm	51 / 310mm
Weight	148 g	215 g	215 g
Ballast			
Ambient temp.	-30°C ~ +50°C	-30°C ~ +50°C	-30°C ~ +50°C
Demension	169 / 80 / 40 mm	168 / 76 / 50 mm	169 / 80 / 40 mm
Weight	700 g	540 g	700 g
Reccomended			
Battery	50AH - 75AH / 12V	75AH - 100AH / 12V	80AH - 150AH / 12V





LED

Street Lamp

Easy Installation

Maintenance Free

No bulb replacement during the lifetime
Over charge and over discharge protection

Timer controller

2H, 4H, 6H, 8H, 10H...optional

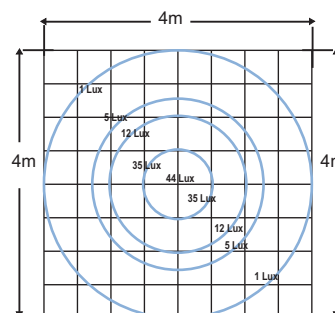
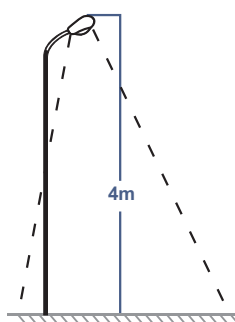
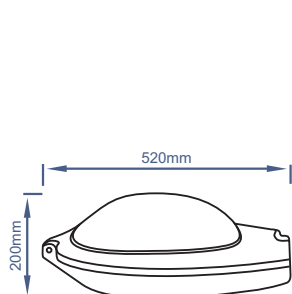
Optional Controller

Turn on and turn off automatically



Model	PVL-LT-LLED100	PVL-LT-LED150	PVL-LT-LED200
Solar module (reccomended)	20W-30W/17.3V	40W-50W/17.3V	60W-80W/17.3V
Battery (reccomended)	24AH-38AH/12V	50AH-75AH/12V	80AH-100AH/12V
Normal power	10W	15W	20W
Normal voltage	DC12V-14V	DC12V-14V	DC12V-14V
Lifespan	50.000H	50.000H	50.000H
Ambient temperature	-40°C ~ +70°C	-40°C ~ +70°C	-40°C ~ +70°C
Light Color	6000K cool white	6000K cool white	6000K cool white
LED	200 pcs	260 pcs	360 pcs
Over charge protection	14.1 V	14.1 V	14.1 V
Over discharge protection	10.8 V	10.8 V	10.8 V
Timer controller	2,4,6,8..hours optional	2,4,6,8..hours optional	2,4,6,8..hours optional
Star darkness automatically	Less than 120 LUX	Less than 120 LUX	Less than 120 LUX
Dimension	520*200*230*mm	520*200*230*mm	520*200*230*mm
Weight	1800 g	2000 g	2200 g
Packing	1pcs/carton	1pcs/carton	1pcs/carton
PRICE FROM (over 10 pcs):	155 €	185 €	215 €

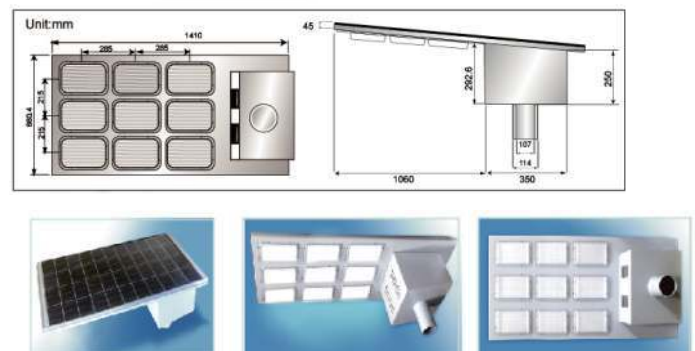
Select the solar panel according to local weather and lighting time request.



KEY FEATURES

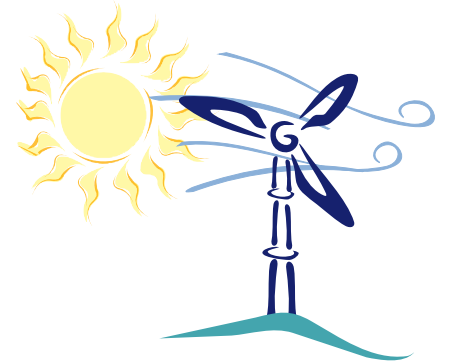
- Suggestion installation height is around 4 meters.
 - Strong housing weather proof design.
 - Super bright LED homogenous lighting distribution.
 - Green energy concept design.
 - Wireless low cost low electricity LOSS.
 - Maximize solar power efficiency.
 - Compact all in one DIY design easy to install.
 - Optimal design for solar powered input and LED illuminating output.
 - Suggestion installation heights is around 4 meters.
- Application: Park, Street, Free way, Seashore, Desert Road, Town House, Country Road, Private Garden, Riverside Drive, Agriculture Field, Penthouse Garden, Mountain Skyline Drive.

Solar Street Lights	
MODEL	DESCRIPTIONS
H-936	14W Solar LED Illuminating light
H-941	43W Solar LED Illuminating light
H-956	87W Solar LED Illuminating light
H-961	130W Solar LED Illuminating light





Wind Generator



500W - 1000W - 3000W - 10kW

Model P - 500 A

Mill diameter: 138 cm	Blade length: 220 cm
Start up wind speed: 2 m/s	Working wind speed: 4-25 m/s
Rating wind speed: 10 m/s	Safe wind speed: 40 m/s
Rating power: 500 w	Rating out put: DC 24 V
Governed speed style: Electron	Brake style: Mechanism
Pillar high: 5.5 m	Net weight: 130 Kg (No Pillar)

Model P - 1000

Mill diameter: 180 cm	Blade length: 200 cm
Start up wind speed: 2 m/s	Working wind speed: 4-25 m/s
Rating wind speed: 12 m/s	Safe wind speed: 40 m/s
Rating power: 1000 w	Rating out put: DC 48 V
Governed speed style: Electron/Aerodynamics	Brake style: Mechanism
Pillar high: 5.5 m	Net weight: 160 Kg (No Pillar)

Model P - 3000

Mill diameter: 300 cm	Blade length: 360 cm
Start up wind speed: 2 m/s	Working wind speed: 4-25 m/s
Rating wind speed: 12 m/s	Safe wind speed: 50 m/s
Rating power: 3000 w	Rating out put: DC 48 V
Governed speed style: Aerodynamics	Brake style: Mechanism
Pillar high: 5.5 m	Net weight: 500 Kg (No Pillar)

Model PK - 10k

Mill diameter: 600 cm	Blade length: 62 cm
Start up wind speed: 2 m/s	Working wind speed: 4-25 m/s
Rating wind speed: 12 m/s	Safe wind speed: 55 m/s
Rating power: 10 kw	Rating out put: DC 110 V
Governed speed style: Aerodynamics	Brake style: Mechanism
Pillar high: 11 m	Net weight: 1700 Kg (No Pillar)