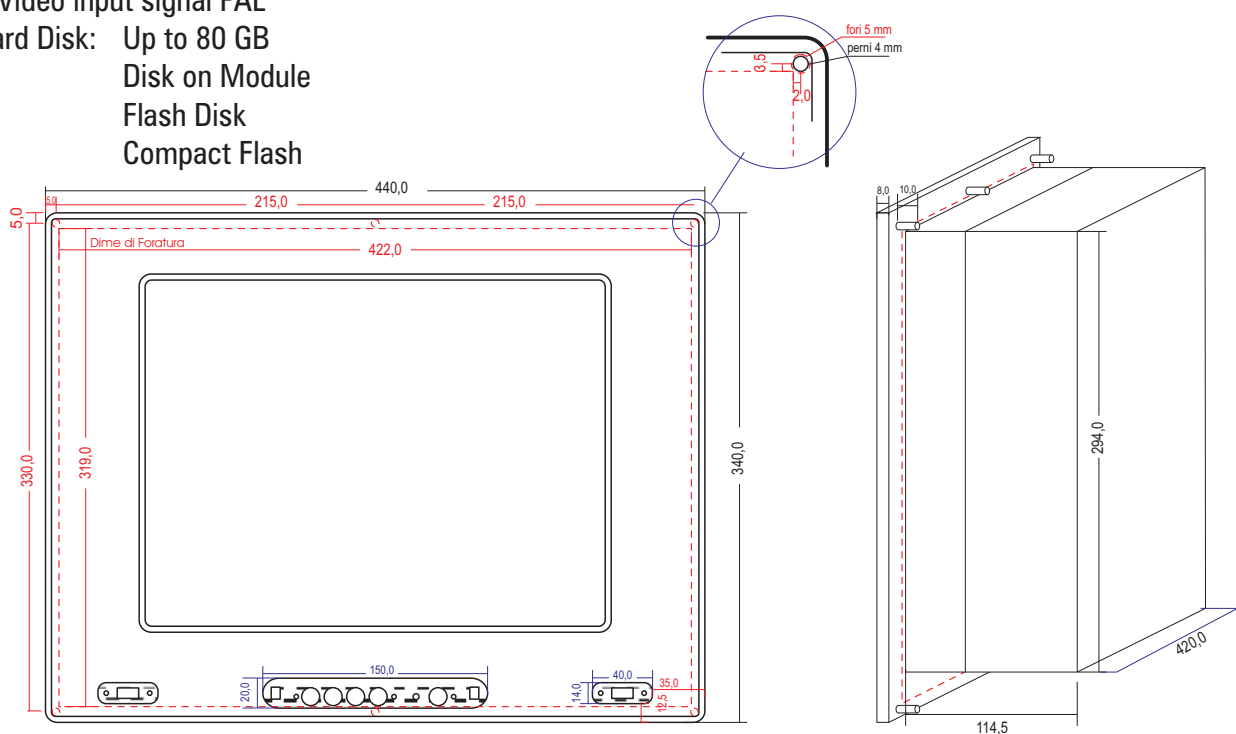


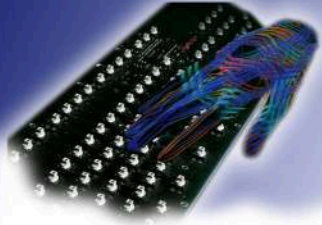
#### Specifications:

- Main Board P166 to P4
- CPU 166MHz - 3 Ghz
- LCD 15" TFT (res. 1024x768)
- Compatible: Dos-Windows / Windows CE-Linux
- 2/4 COM-RS 232/485
- RAM 32 - 512 MB
- USB 2.0 - LAN - PS2 keyboard/mouse
- Power supply 12-24 VDC 80-260 VAC
- Operating temp.: -20°/+ 60° C
- Dimension: 440x340 mm

#### Options:

- Floppy Drive - CD/DVD Rom
- Touch screen Resistive
- Control Panel: Power-Reset  
Power-Reset-OSD/CTRL
- Expansion Slot PCI-ISA
- 1 or 2 USB port
- Re-inforced cooling system
- S-Video input signal PAL
- Hard Disk: Up to 80 GB  
Disk on Module  
Flash Disk  
Compact Flash



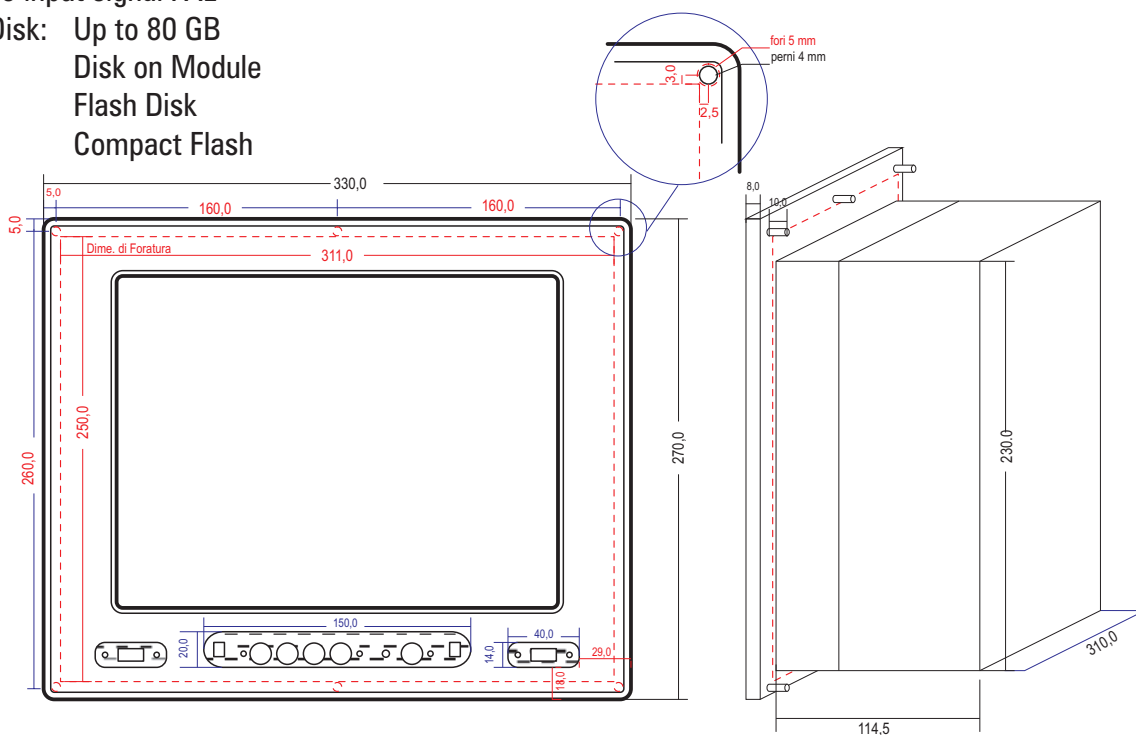


#### Specifications:

- Main Board P166 to P4
- CPU 166MHz - 3 Ghz
- LCD 12" TFT (res. 800x600)
- Compatible: Dos-Windows / Windows CE-Linux
- 2/4 COM-RS 232/485
- RAM 32 - 512 MB
- USB 2.0 - LAN - PS2 keyboard/mouse
- Power supply 12-24 VDC 80-260 VAC
- Operating temp.: -20°/+ 60° C
- Dimension: 330x270 mm

#### Options:

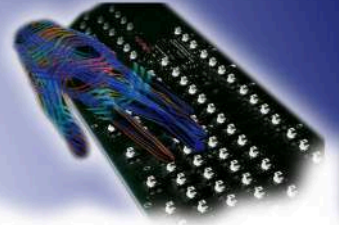
- Floppy Drive - CD/DVD Rom
- Touch screen Resistive
- Control Panel: Power-Reset  
Power-Reset-OSD/CTRL
- Expansion Slot PCI-ISA
- 1 or 2 USB port
- Re-inforced cooling system
- S-Video input signal PAL
- Hard Disk: Up to 80 GB  
Disk on Module  
Flash Disk  
Compact Flash





6.4" TFT

STILO  
GRAFICA



**Specifications:**

- Main Board P166 to P4
- CPU 166MHz - 3 Ghz
- LCD 6.4" TFT (res 640x480)
- Compatible: Dos-Windows / Windows CE-Linux
- 2/4 COM-RS 232/485
- RAM 32 - 256 MB
- USB 2.0 - LAN - PS2 keyboard/mouse
- Power supply 12-24 VDC 80-260 VAC
- Operating temp.: -20°/+ 60° C

**Options:**

- Floppy Drive - CD/DVD Rom
- Touch Screen Resistive
- Re-inforced cooling system
- S-Video input signal PAL
- Hard Disk: Up to 80 GB  
Disk on Module  
Flash Disk  
Compact Flash

